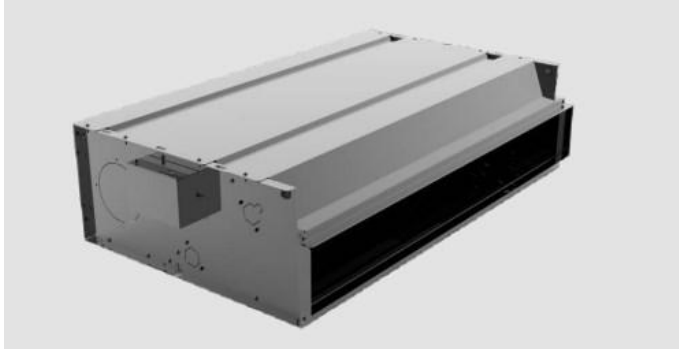


فن کویل های ایرسا  
Irsa Fan coils



فنکویل سقفی توکار PLF-2/4P



داکت فن کویل PHF-2/4P



فنکویل زمینی توکار PGF-2/4P



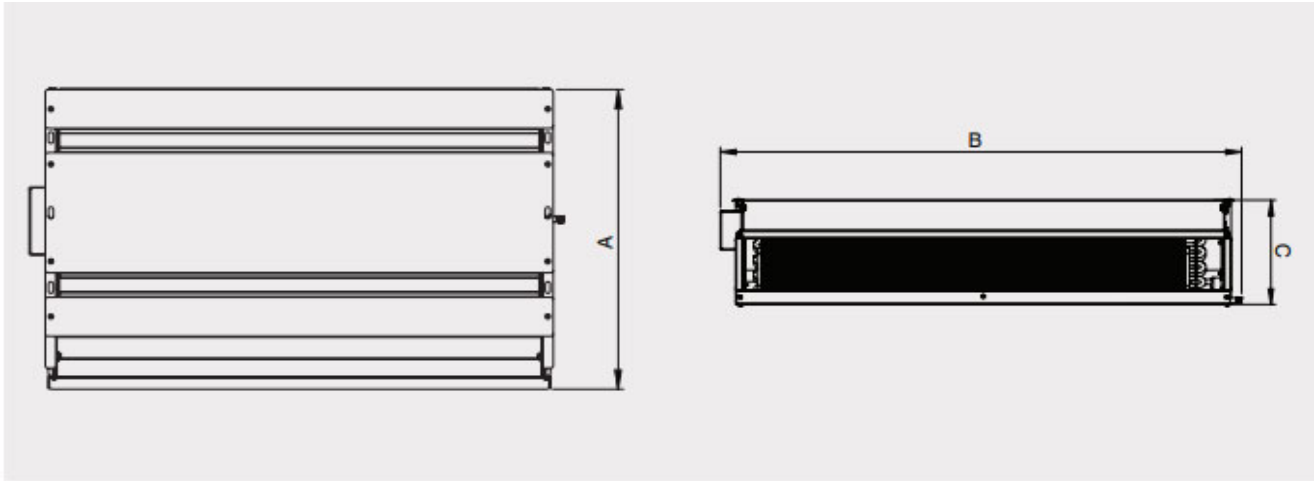
## Specifications

مشخصات فنی فن کوئل سقفی توکار ( Low Static-2 PIPE)

Model	Air flow (cfm)	Total cooling capacity (kw)	Sensible cooling capacity (kw)	heating capacity (kw)	Water Flow Rate (gpm)	Water Pressure drop (kPa)	Static Pressure (Pa)	Sound Pressure level (dB(A))	Weight (kg)
PLF-2P-200	100	1.65	1.05	2.15	1.5	5.2	12	31	17.9
	150	1.85	1.35	3.35			15	33	
	200	2.00	1.55	3.85			18	35	
PLF-2P-300	150	1.85	1.35	2.45	2.0	9.0	12	32	19.5
	250	2.35	1.75	3.85			15	34	
	300	2.75	2.15	4.45			18	36	
PLF-2P-400	200	2.65	1.85	3.25	2.5	13.5	20	33	22.8
	350	3.15	2.35	5.15			25	37	
	400	3.65	2.75	5.95			30	39	
PLF-2P-600	150	3.65	2.55	4.55	3.5	29.5	25	34	26.5
	250	4.35	3.45	7.25			28	39	
	300	5.45	4.15	8.45			32	42	
PLF-2P-800	400	4.55	3.15	7.65	5.0	42.3	25	36	32.5
	600	5.75	4.35	12.15			28	40	
	800	7.25	5.35	14.05			32	43	
PLF-2P-1000	400	6.05	4.25	8.65	6.0	78.6	28	37	37.8
	600	7.95	5.85	13.65			35	41	
	1000	9.05	6.75	16.05			38	44	
PLF-2P-1200	800	6.85	4.75	10.35	6.5	84.9	28	38	40.0
	1000	8.65	6.15	16.45			35	43	
	1200	10.85	8.15	19.05			38	46	



## Dimensions



Model	A	B	C
PLF-2/4P-200	520	694	222
PLF-2/4P-300	520	789	222
PLF-2/4P-400	520	894	222
PLF-2/4P-600	520	994	222
PLF-2/4P-800	520	1239	222
PLF-2/4P-1000	520	1494	222
PLF-2/4P-1200	520	495	222





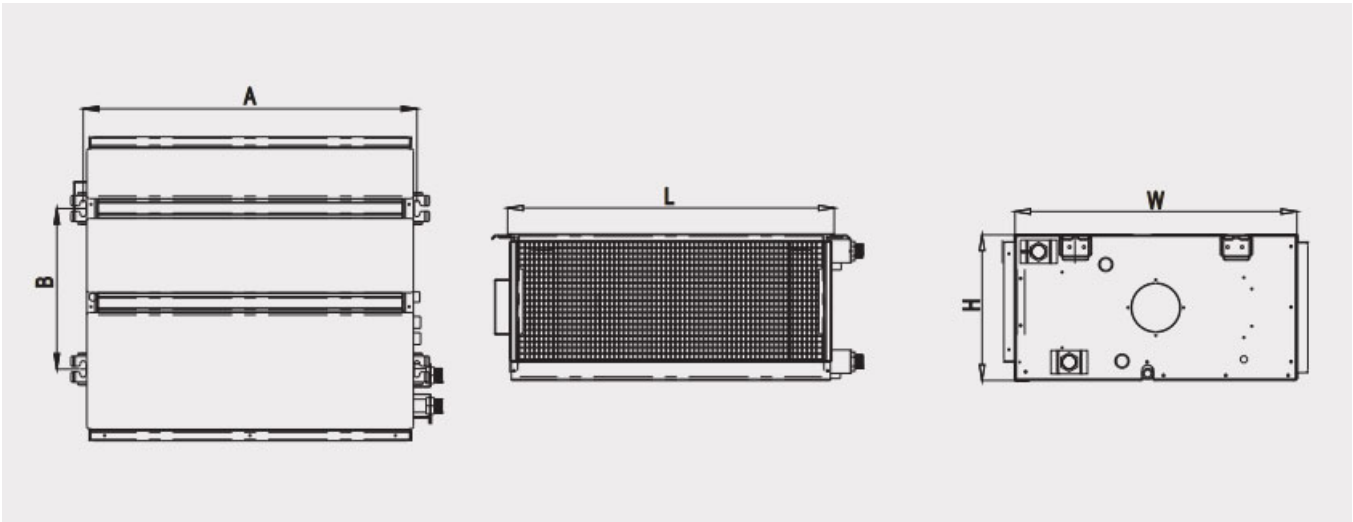
## Specifications

### مشخصات فن داکت فن کویل ( High Static-2 PIPE)

Model	Air flow (cfm)	Total cooling capacity (kw)	Sensible cooling capacity (kw)	heating capacity (kw)	Water Flow Rate (gpm)	Water Pressure drop (kPa)	Static Pressure (Pa)	Sound Pressure level (dB(A))	Weight (kg)
PHF-2P 800	400	5.20	3.70	8.6			80	43	
	600	6.30	4.80	10.2	4.4	12.5	90	45	43.0
	800	7.00	5.40	11.7			100	47	
PHF-2P 1000	450	6.30	4.30	9.60			90	44	
	600	7.00	5.30	11.7	5.5	18.5	100	47	44.0
	1000	9.00	6.30	9.60			110	50	
PHF-2P 1200	650	7.80	5.90	13.1			90	47	
	800	9.80	7.40	16.1	6.9	25.2	100	50	53.0
	1200	11.50	8.50	18.8			110	52	
PHF-2P 1400	800	10.10	7.00	15.7			100	49	
	1000	12.20	8.80	19.3	7.8	40.5	110	52	58.0
	1400	14.50	10.50	22.6			120	54	
PHF-2P 1600	1000	12.00	8.30	17.2			100	51	
	1200	14.50	9.50	21.4	9.9	58.6	110	54	63.0
	1600	16.50	11.50	25.1			120	56	
PHF-2P 1800	1200	13.55	9.30	18.8			110	53	
	1400	15.82	10.80	24.4	10.3	69.15	120	56	75.0
	1800	17.66	12.67	27.9			130	58	
PHF-2P 2000	1400	14.95	9.20	20.7			110	54	
	1600	17.01	11.70	25.5	11.8	95.11	120	57	85.0
	2000	18.91	13.90	29.7			130	59	



## Dimensions



Model	A	B	H	L	W
PHF-2/4P 800	710	343	310	695	600
PHF-2/4P 1000	810	343	310	795	600
PHF-2/4P 1200	910	343	310	895	600
PHF-2/4P 1400	1010	343	310	995	600
PHF-2/4P 1600	1110	343	310	1095	600
PHF-2/4P 1800	1260	343	350	1245	600
PHF-2/4P 2000	1410	343	350	1395	600

